

# TOTO®

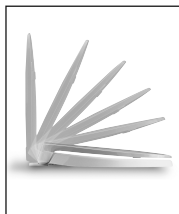
## CST423SF(G) Promenade® 1.6 GPF Toilet, Round



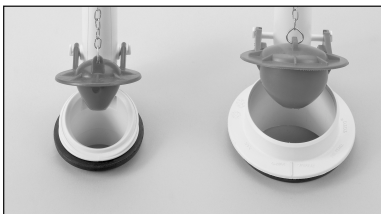
CST423SF - Promenade® Toilet  
SS113 - SoftClose Seat



**G-Max™ Technology:** Quiet, powerful, commercial grade flushing performance.



**Choose a SoftClose® toilet seat, or upgrade to a Washlet™.**



**Fast Flush:** New, wide 3" flush valve is 125% larger than conventional 2" flush valves.

- Traditional design with stately lines
- Powerful and quiet flush
- Promenade® design suite: Matching pedestal and self-rimming lavatories
- Large water surface
- Universal Height

High profile, round, close coupled toilet. Low consumption (1.6 Gpf/6.0 Lpf) gravity flushing action.

Tank cover, fittings, chrome plated trip lever less seat.

■ **CST423SF**

Round, 12" rough-in, less seat.

■ **CST423SFG**

Round, 12" rough-in, less seat. SanaGloss glazing. (Available only in: #01 Cotton)

□ **C423EF**

Round front bowl only, 12" rough-in.

□ **C423EFG**

Round front bowl only, 12" rough-in. SanaGloss glazing. (Available only in: #01 Cotton)

□ **ST423S**

Promenade® tank and cover only. Complete with tank trim and coupling components.

□ **SS113**

SoftClose: Seat and lid gently close with a touch of a hand. Round, closed front seat with lid.

□ **ADA Compliant**

*For installation condition with approach from the left hand side.*

Colors: #01 Cotton, #11 Colonial White, #12 Sedona Beige, #03 Bone, & #51 Ebony

Trip Lever:

Standard #CP Chrome Plated

Optional See price book for additional finishes

**Augusta Decorative Collection**

# CST423SF(G) Promenade® 1.6 GPF Toilet, Round

## ■ PERFORMANCE

The TOTO 1.6 GPF toilet scored the highest possible rating in independent laboratory performance tests. With a powerful and quiet flush design, the toilet also offers a large water surface. Promenade® toilets are designed to match the Promenade® Lavatory Suite.

## ■ SPECIFICATIONS

Water Use: 1.6 Gpf / 6.0 Lpf  
 Flush System: Gravity Feed  
 Min. Water Pressure: 8 psi  
 Water Surface: 8-7/8" x 6-3/8"  
 Trap Diameter: 2-1/8"  
 Rough-in: 12" rough in  
 Trap Seal: 2-1/4"  
 Material: Vitreous china  
 Warranty: Five Year Limited Warranty

Shipping Weight: **C423EF(G) - Bowl** 48 lbs.  
**ST423S - Tank** 41.5 lbs.

### Shipping Dimensions:

#### C423EF(G) - Bowl

27"L x 10-3/4"W<sup>1</sup> x 16"W<sup>2</sup> x 17-1/2"H

#### ST423S - Tank

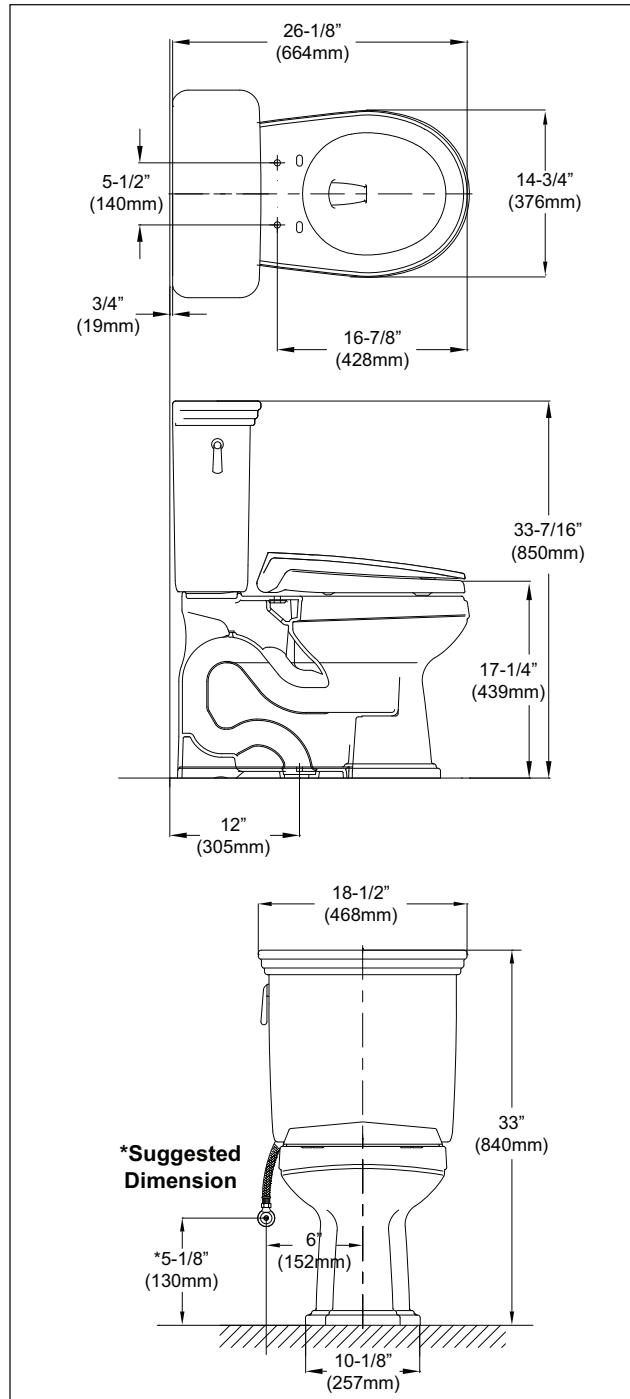
18-7/8"L x 8-5/8"W x 18-1/8"H

*Fixture dimensions and hydraulic performance meet or exceed ANSI/ASME standard A112.19.2 and CAN/CSA B 45 requirements.*

*Listing and approval: IAPMO/UPC, CSA, City of Los Angeles, State of MA, and others*

*Meets the American Disabilities Act Guidelines and ANSI A117.1. For installation condition with approach from the left hand side.*

*These dimensions and specifications are subject to change without notice.*



CST423SF(G) - Promenade® Toilet

# TOTO®

TOTO U.S.A., INC. • 1155 Southern Road, Morrow, GA 30260  
 Tel. (770) 282-8686 • Fax. (770) 282-8701 • www.totousa.com

Printed in U.S.A. © TOTO LTD. 05/08 #A10490

Printed on recycled paper 

REV 11/08