

# TOTO®

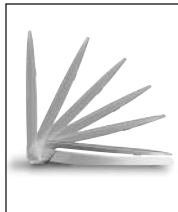
## CST423EF(G) EcoPromenade 1.28 GPF High Efficiency Toilet, Round



CST423EF - EcoPromenade Toilet  
SS113 - SoftClose Seat



**E-Max® Technology:** Quiet, powerful, commercial grade flushing performance.



**Choose a SoftClose® toilet seat, or upgrade to a Washlet.**



**Fast Flush:** New, wide 3" flush valve is 125% larger than conventional 2" flush valves.



- Traditional design with stately lines
- Powerful and quiet flush
- Promenade design suite: Matching pedestal and self-rimming lavatories
- Large water surface
- Universal Height

High profile, round, close coupled toilet. Low consumption (1.28 Gpf/4.8 Lpf) gravity flushing action.

Tank cover, fittings, chrome plated trip lever less seat.

■ **CST423EF**

Round, 12" rough-in, less seat.

■ **CST423EFG**

Round, 12" rough-in, less seat. SanaGloss glazing. (Available only in: #01 Cotton)

□ **C423EF**

Round front bowl only, 12" rough-in.

□ **C423EFG**

Round front bowl only, 12" rough-in. SanaGloss glazing. (Available only in: #01 Cotton)

□ **ST423E**

Promenade tank and cover only. Complete with tank trim and coupling components.

□ **SS113**

SoftClose: Seat and lid gently close with a touch of a hand. Round, closed front seat with lid.

 ADA Compliant

**Colors:** #01 Cotton, #11 Colonial White, #12 Sedona Beige, #03 Bone, & #51 Ebony

**Trip Lever:**

**Standard** #CP Chrome Plated

**Optional** See price book for additional finishes

**Augusta Decorative Collection**

# CST423EF(G)

## EcoPromenade 1.28 GPF High Efficiency Toilet, Round

### ■ PERFORMANCE

The TOTO® E-Max® low consumption toilets received high ratings during ANSI/ASME and CSA testing at independent laboratories. Designed with a powerful siphon jet flushing action, the toilet offers a large water surface and a glazed trapway. Promenade toilets are designed to match the Promenade Lavatory Suite.

### ■ SPECIFICATIONS

Water Use: 1.28 Gpf / 4.8 Lpf  
 Flush System: Gravity Feed  
 Min. Water Pressure: 8 psi  
 Water Surface: 8-7/8" x 6-3/8"  
 Trap Diameter: 2-1/8"  
 Rough-in: 12" rough in  
 Trap Seal: 2-1/4"  
 Material: Vitreous china  
 Warranty: Five Year Limited Warranty

Shipping Weight: **C423EF(G) - Bowl** 48 lbs.  
**ST423E - Tank** 41.5 lbs.

### Shipping Dimensions:

**C423EF(G) - Bowl**  
 27"L x 10-3/4"W<sup>1</sup> x 16"W<sup>2</sup> x 17-1/2"H  
**ST423E - Tank**  
 18-7/8"L x 8-5/8"W x 18-1/8"H

*Fixture dimensions and hydraulic performance meet or exceed ANSI/ASME standard A112.19.2 and CAN/CSA B 45 requirements.*

*Listing and approval: IAPMO/UPC, CSA, City of Los Angeles, State of MA, and others*

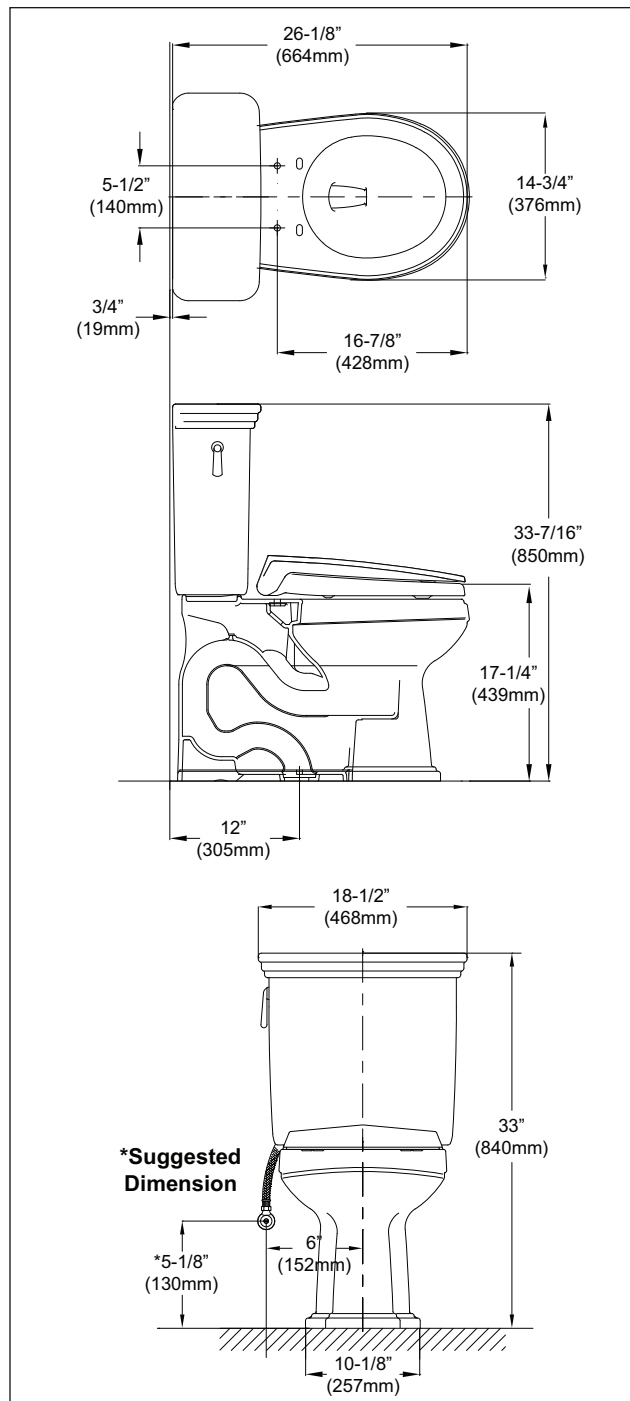
*Shall be WaterSense compliant.*

*Meets and exceeds ASME A112.19.2 standards for drainline carry distance with a 2% grade and 4" I.D. pipe.*



*Meets the American Disabilities Act Guidelines and ANSI A117.1*

*These dimensions and specifications are subject to change without notice.*



CST423EF(G) - Eco Promenade Toilet

**TOTO®**

TOTO U.S.A., INC. • 1155 Southern Road, Morrow, GA 30260  
 Tel. (770) 282-8686 • Fax. (770) 282-8701 • www.totousa.com

Printed in U.S.A. © TOTO LTD. 05/08 #A10480

Printed on recycled paper

REV 10/08